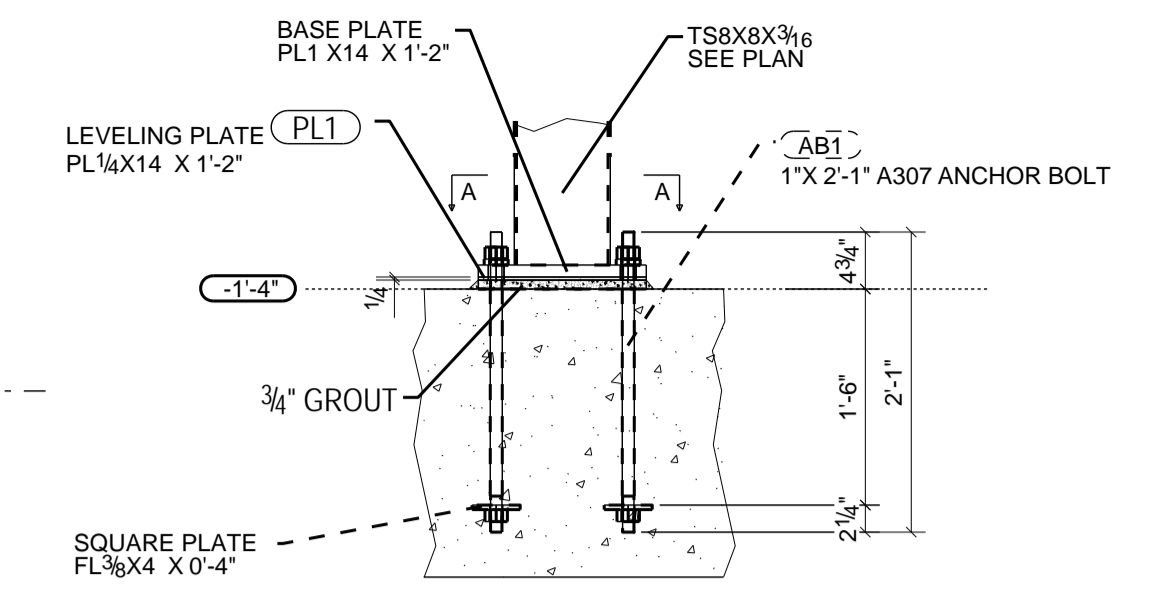
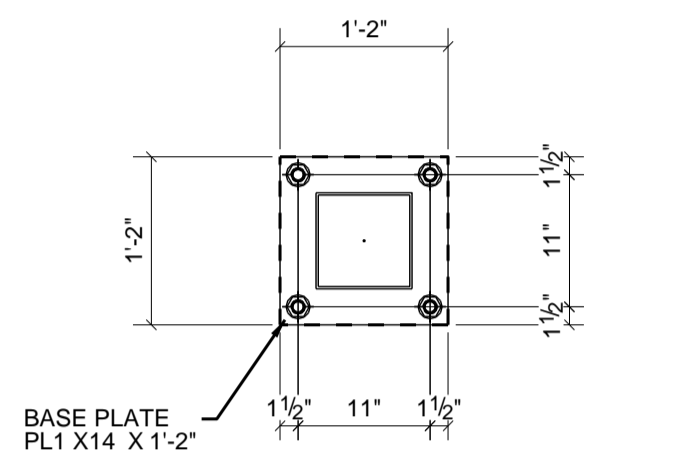


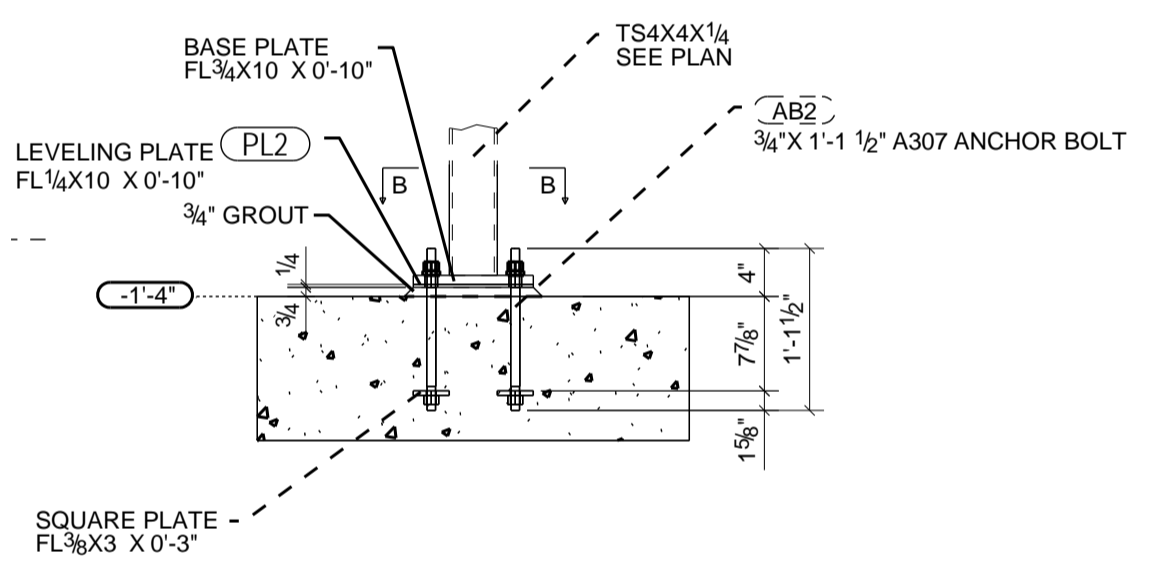
**ANCHOR BOLT PLAN**  
Scale: 1:96



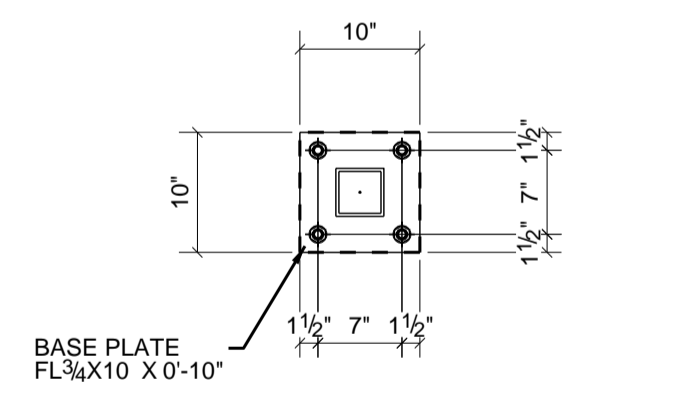
**A BASE PLATE DETAIL**  
Scale: 1:16



**SECTION A-A**  
Scale: 1:16



**B BASE PLATE DETAIL**  
Scale: 1:16



**SECTION B-B**  
Scale: 1:16

MARK	QTY	SIZE	BASE PLATE	A.B.'s
SC1	18	TS 8X8X3/16	PL1"X14X14	1" X 25"
SC2	9	TS 8X8X3/16	PL1"X14X14	1" X 25"
SC3	10	TS 4X4X1/4	FL 3/4"X10X10	3/4" X 13 1/2"
SC4	10	TS 4X4X1/4	FL 3/4"X10X10	3/4" X 13 1/2"
SC5	8	TS 4X4X1/4	FL 3/4"X10X22	3/4" X 13 1/2"

NOTES:  
1. FINISHED FLOOR ELEVATION = 0'-0"  
2. TOP OF FOOTINGS = -1'-4"

**FOR FIELD USE**

<b>TEKLA Structures</b>	
<p>DETAILED BY: Model: Example Model</p> <p><b>SPRINGBOK DETAILING</b></p> <p>1617 Frances Ave Fort Pierce, FL 34949 Tel: +1772-828-2105</p>	<p>PROJ. #</p> <p>P.M.</p>
<p>DATE: 1/19/2008</p>	<p>REVISION DESCRIPTION</p> <p>3 FIELD USE (REVISED)</p>
<p>SAMPLE PROJECT: DOWNTOWN, USA</p>	<p>DRAWING NAME: ANCHOR BOLT PLAN</p>
<p>LOCATION: ABC Fabricators 1234 West Street Southside, FL 12345 Tel: 123-456-7890</p>	<p>PROJ. NO.: 00-1234</p>
<p>CHKD BY: NJB 12/12/2007</p>	<p>DRWN BY: ACV 10/23/2007</p>
<p>PRINT DATE: 12/09/2008</p>	<p>SHEET NO.: E1.0</p>
<p>REVISION DESCRIPTION: 3</p>	<p>REV.: 3</p>