

DATE	9/08/08
------	---------

REV.	REVISION DESCRIPTION
1	FOR APPROVAL

PROJECT NAME	UNIVERSITY PARK 3AB
LOCATION	University Park, FL 34201
FABRICATOR	JUST STEEL 2021 Tallwood Rd Sarasota, FL 34243 Tel: 941-355-2663
DRAWING NAME	ELEVATIONS

PROJ. NO.	08-4256
-----------	---------

CHKD BY:

DRWN BY:

09/05/2008

PRINT DATE

12/09/2008

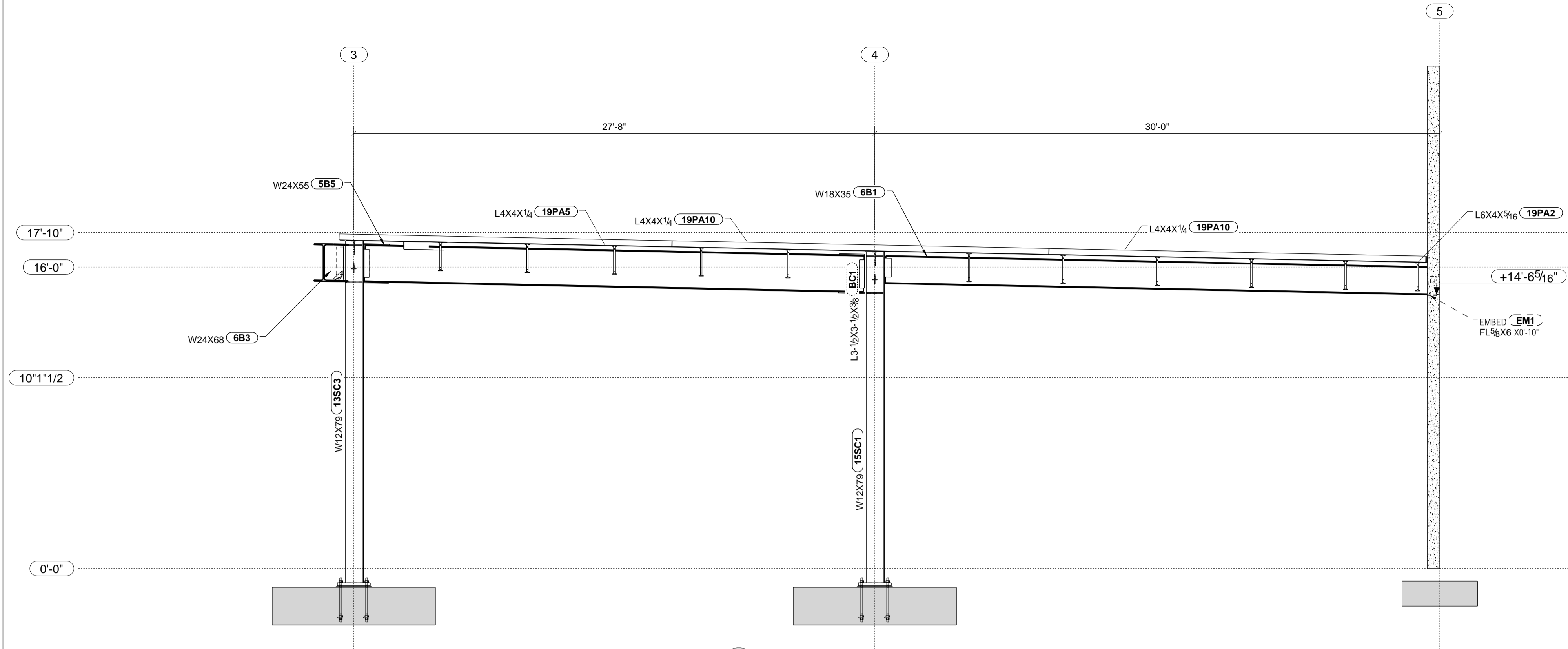
SHEET NO. REV.

S4,4 1

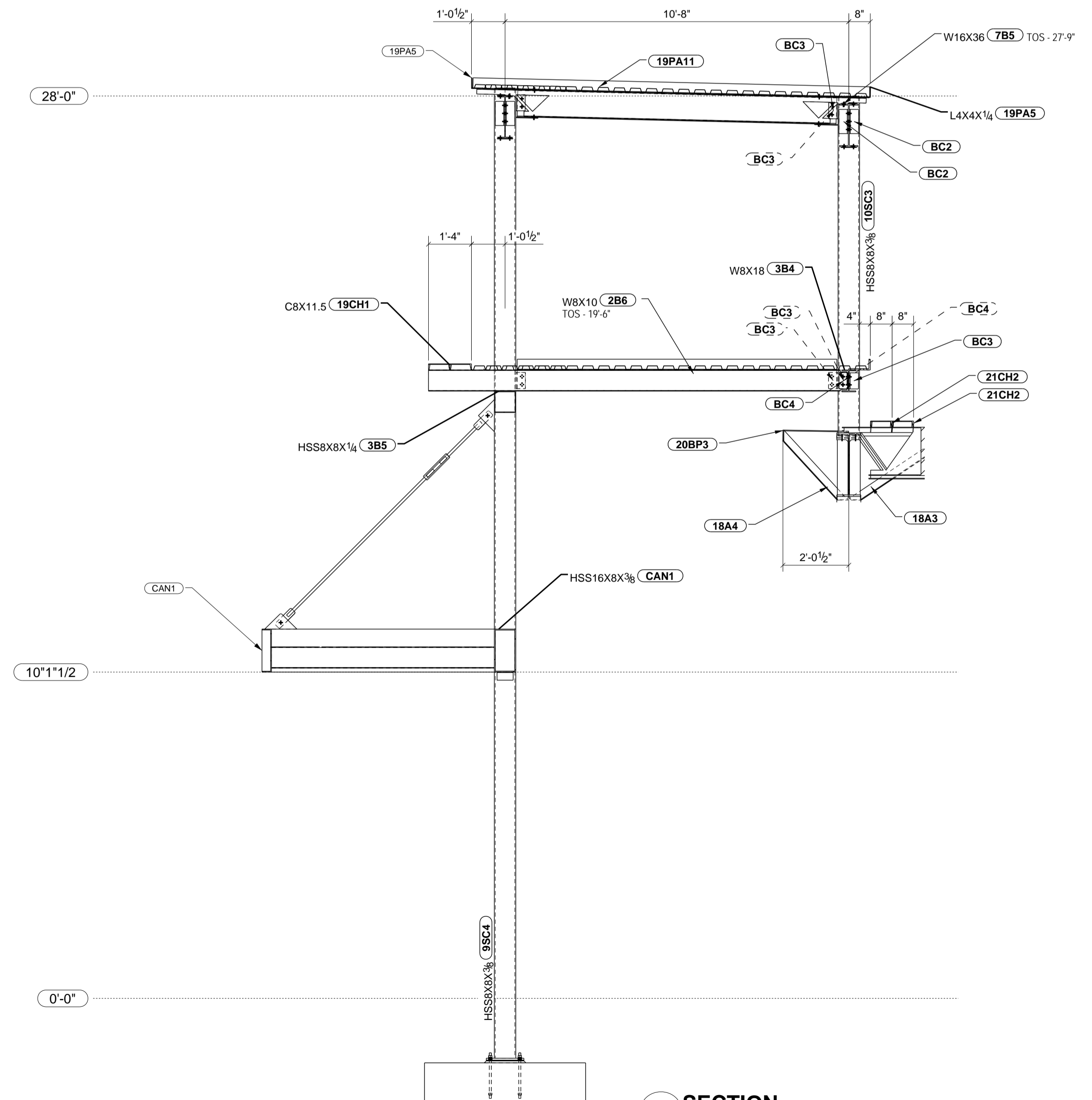
2. MAKE GOOD ALL DAMAGED PRINT/FEEB SITE WELDING IS COMPLETED

1. ASSEMBLY MARK INDICATES MARKED END OF MEMBER. MEMBER TO BE ERRECTED WITH STAMPED END AT THIS LOCATION

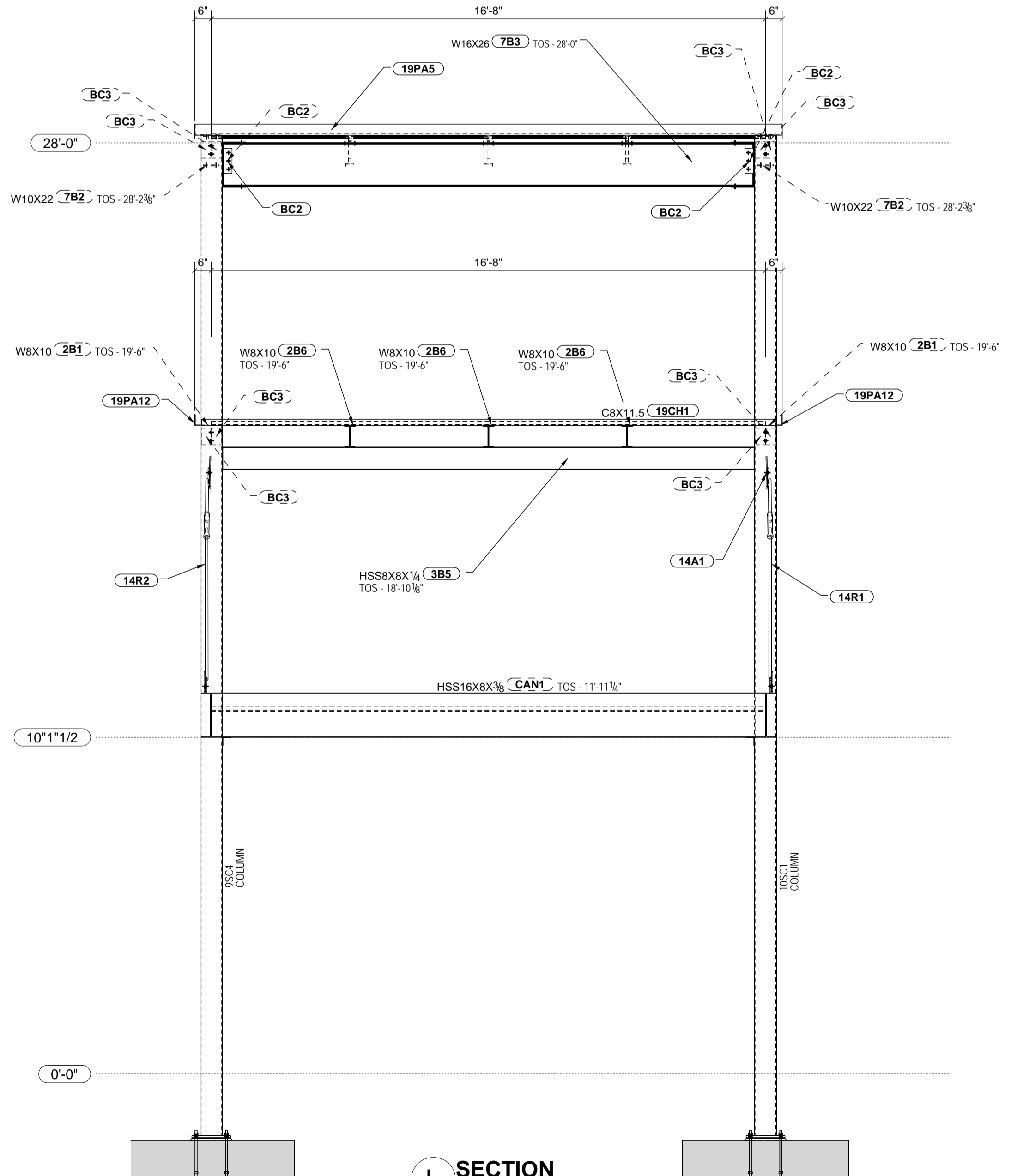
An Interactive 3D Model Of This Project Can Be Viewed At:  
[www.southerncrossdetailing.com/UniversityPark3AB](http://www.southerncrossdetailing.com/UniversityPark3AB)



**K SECTION**  
 Scale: 1:48



**M SECTION**  
 Scale: 1:32



**L SECTION**  
 Scale: 1:32