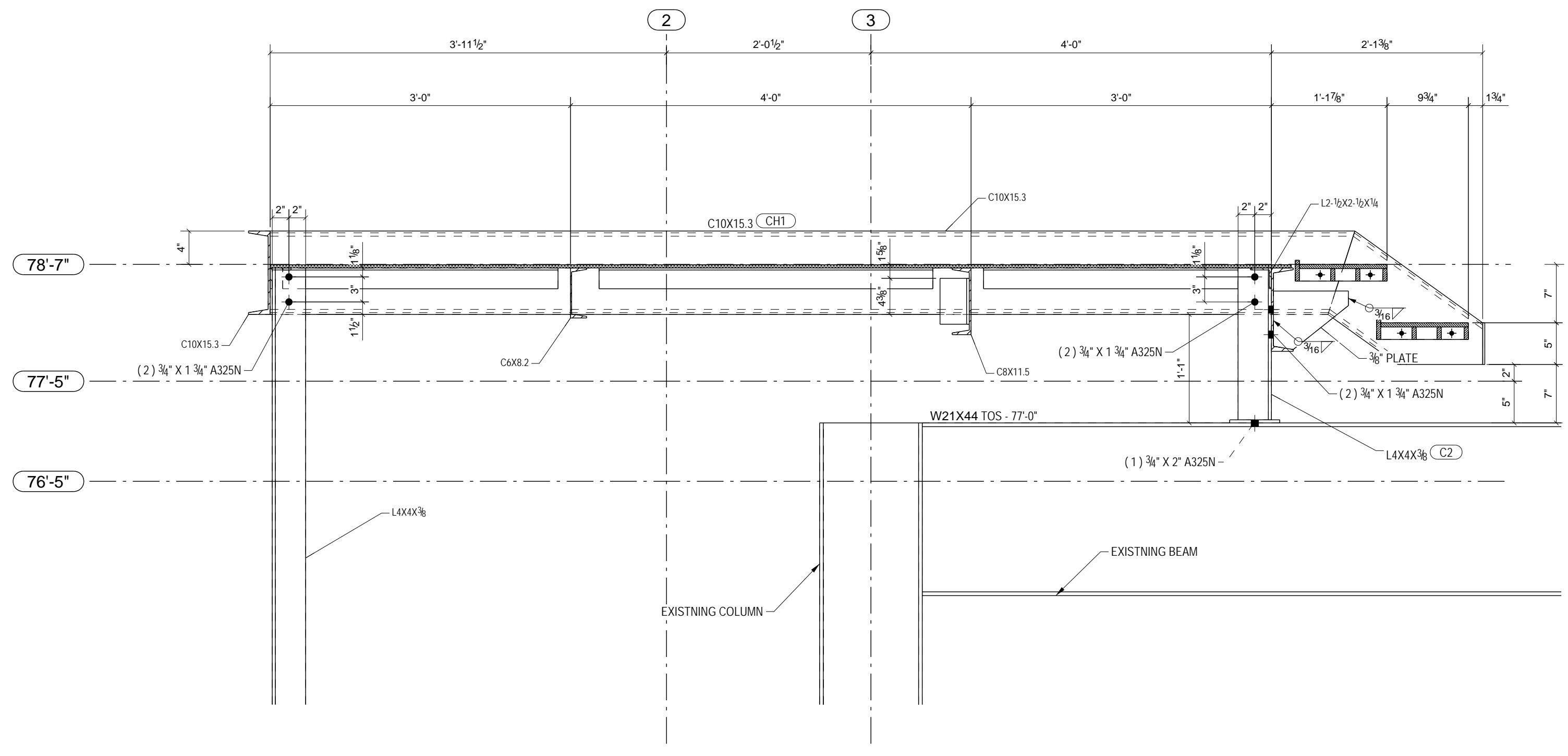
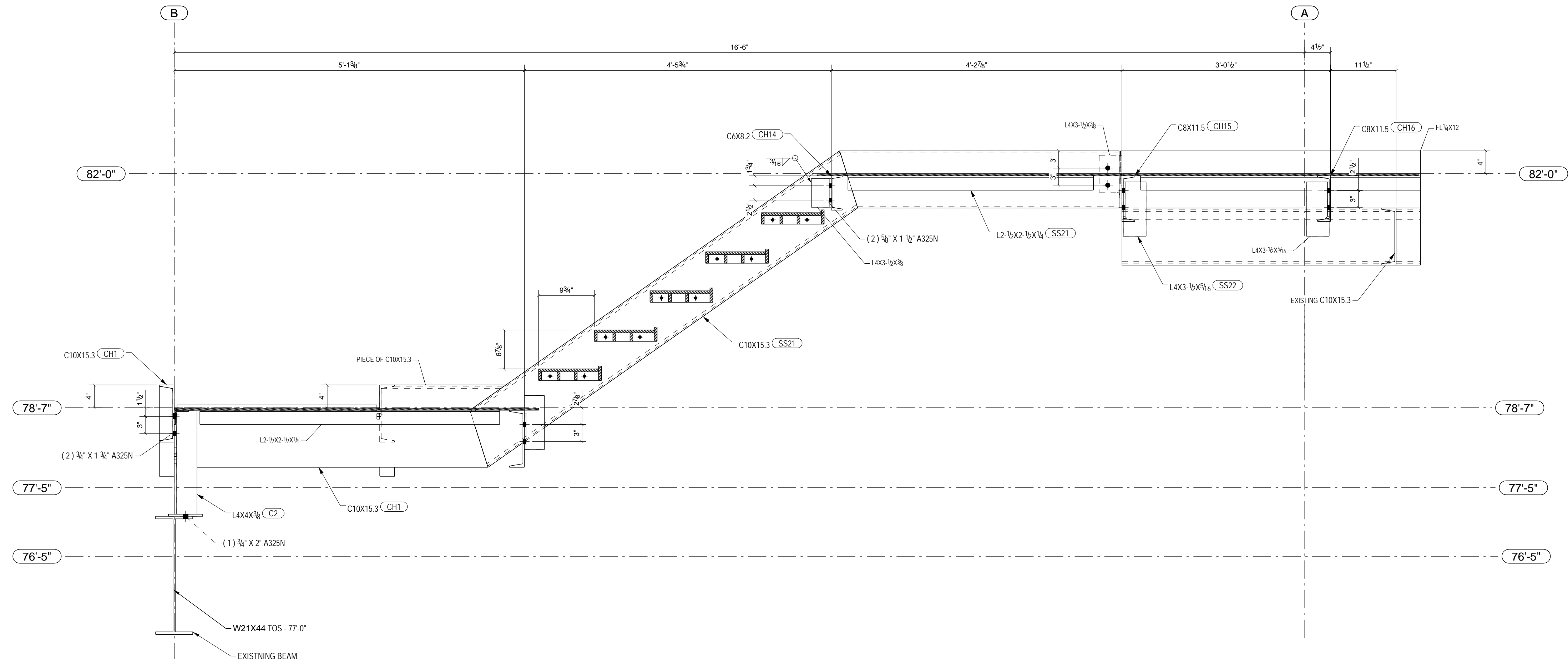


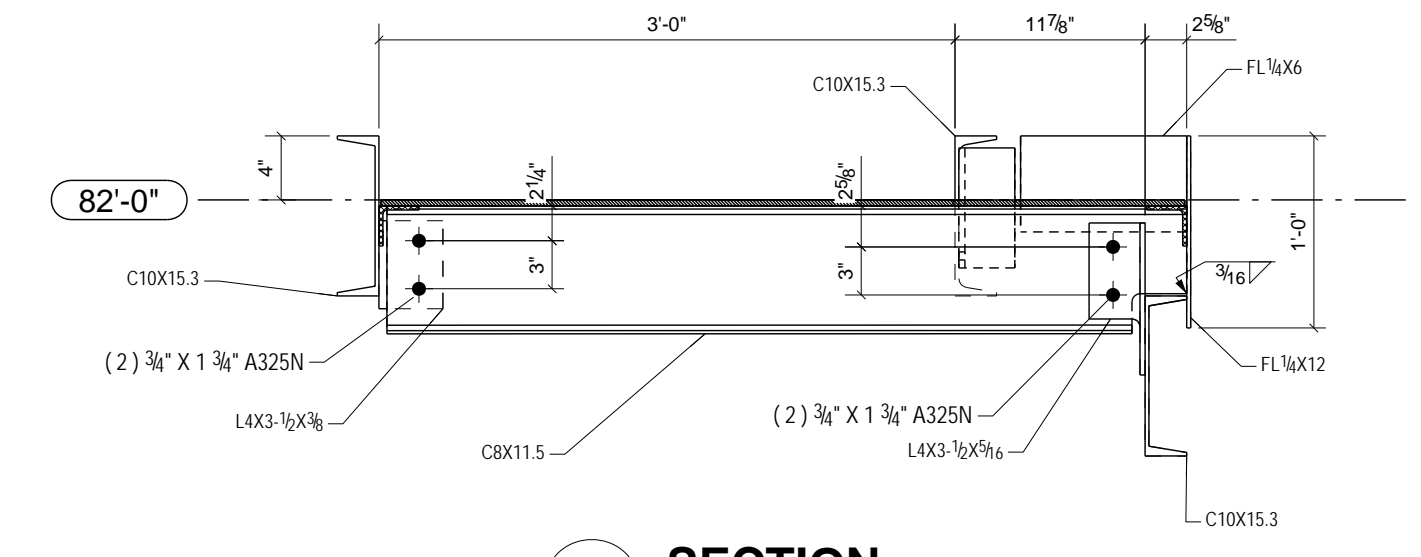
PLAN @ EL. 78'-3"
Scale: 1:32



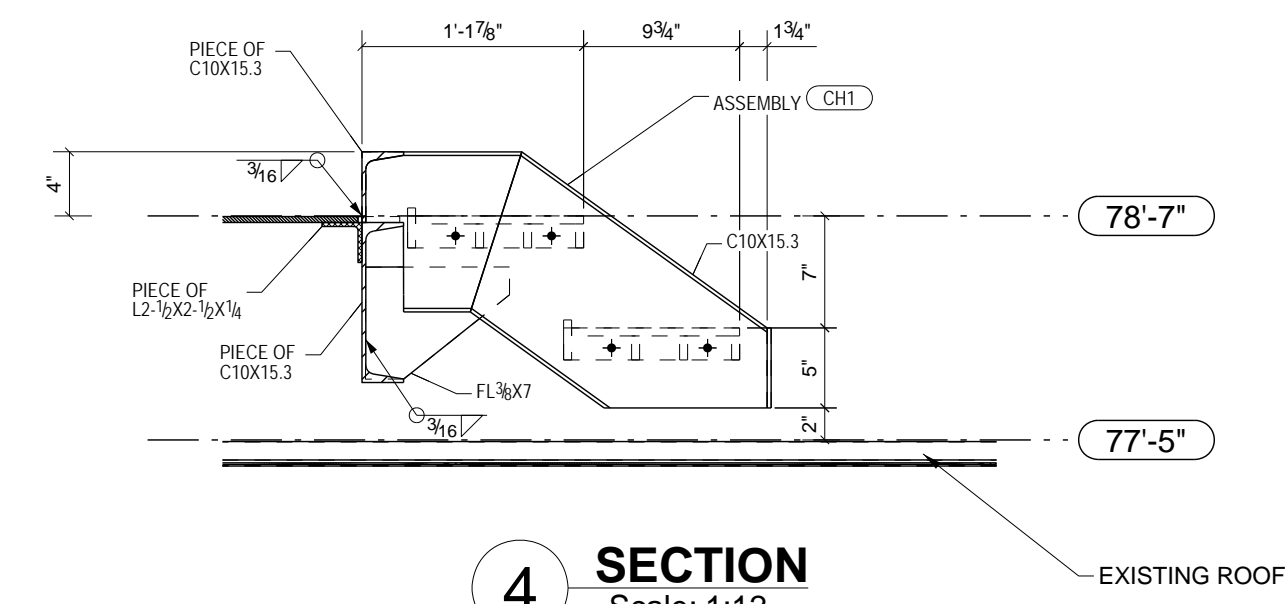
SECTION 1
Scale: 1:12



SECTION 2
Scale: 1:12



SECTION 3
Scale: 1:12



SECTION 4
Scale: 1:12

2 - MAKE GOOD ALL DAMAGED PRINTS AFTER SITE WELDING IS COMPLETED

DATE	8/6/2008
REVISION DESCRIPTION	VIM
FOR APPROVAL	First submittal

Model: - Example Model 1

SPRINGBOK DETAILING
1617 Frances Ave
Fort Pierce, FL 34949
Tel: +1772-828-2105

PROJ.# 08-1234 P.M. ABC

REV.	REVISION DESCRIPTION
1	First submittal

An Interactive 3D Model Of This Project Can Be Viewed At:
www.springbokdetailing.com/Sample

PROJECT NAME	STAIRS
LOCATION	FABRICATOR
SAMPLE LOCATION	ABC FABRICATOR 1234 West Street Downtown, FL 12345 Tel: 123-456-7890
DRAWING NAME	PLAN/SECTIONS

PROJ. NO.	4323
CHKD BY:	NJB 08/07/2008
DRWN BY:	VIM 08/04/2008
PRINT DATE	12/09/2008
SHEET NO.	S3
REV.	1